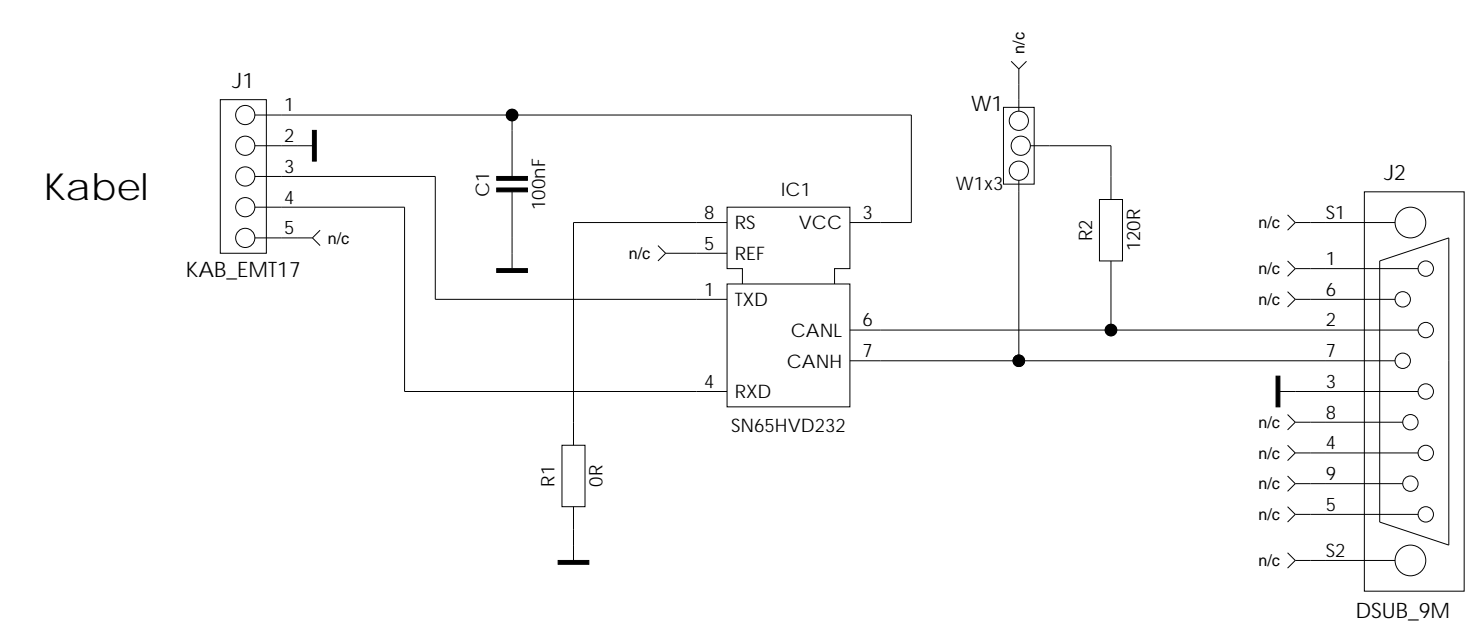


Rev	Changes	Date/Author



All rights strictly reserved. Reproduction or issue to third parties in any form whatever is not permitted without written authority from emtrion GmbH.

<b>emtrion</b>		Copyright emtrion GmbH.	
Title ada-can_3v3		Variant \${VAR_NAME}	
Sheet Title ADA_CAN_3V3			
Drawn by SR	Date 18-08-2010_16:00	Revision 1	Page